

PureFlo® Junior Capsules Compact Filtration

Small Disposable Process Filtration

PureFlo® Junior capsule filter assemblies are ready-to-use filters that offer high flows, increased throughputs, high strength, all with the convenience and cleanliness of a disposable and easy-to-install filter assembly in a small package. Designed for small pre-filtration, clarification, and final filtration, in pharmaceutical, biotechnology, food and beverage, medical, chemical, and DI water applications.

PureFlo® Junior capsule assemblies are available with a wide range of hydrophilic and hydrophobic filter medias and pore sizes for liquid, gas, and venting applications. Process engineers can choose from 11 filtration medias to create any combination of **integrated** filtration. These will allow the disposable processing to become truly flexible, clean, and optimal.

They can be built with several configurations, with five inlet and outlet fitting connections that can be mixed and matched. The filtration shell is an all-polypropylene construction that provides excellent chemical compatibility with low extractables. The shell and supports can also be constructed in nylon, polyethylene, or gamma stabilized PP shells for additional compatibility. No adhesives, binders, or surfactants are used in the manufacturing process.



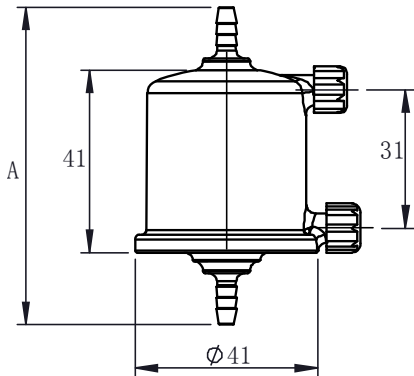
Applications

| | |
|---------------|------------------|
| Clarification | Water & Wine |
| Hard Particle | Food & Beverages |
| Cell Removal | Pharmaceuticals |
| Chemicals | Biologics |
| Inks, Dyes | Oils, Waters |
| Cosmetics | Diagnostics |

Specification

| | |
|----------------------------|--|
| Materials of Construction: | Media: Charged Nylon, Depth PP, Polyethylene, PTFE, Glass Fiber, PP Membrane, Cellulose, Nylon, Nylon Screen, PP media, PES, and Polyester Screen Media Supports: Polypropylene, PET, Nylon, or HDPE Shell, Cage, Core, End Caps: Polypropylene, Nylon, or HDPE Sealing: Thermally bonded |
| Fitting Connections: | Five Fittings - See Ordering Guide for availability. (Custom adaptors available upon request) |
| Nominal Dimensions: | Lengths: 1.6" (41mm) without fittings Diameter: 1.6" (41mm) |
| Effective Filtration Area: | 260cm ² for membranes, 200cm for Media |
| Available Ratings: | 0.04um - 200.0um (Dependent on Media) |
| Operating Conditions: | Maximum Operating pressure: 5 bar (73psi) at 25°C Maximum Forward Differential Pressure: 4 bar (58psi) at 25°C Maximum Operating Temperature: 80° C |
| Regulatory Compliance: | The filters are constructed with polypropylene resins and filtration media in compliance with 21CFR Part 177 of the US Code of Federal Regulations and USP Class VI Biological Test for Plastics. |

PureFlo® Junior Capsules



Dimensions in mm

Specification (cont.)

Autoclavable & Sanitizable:

Capsules can be autoclaved once at 125°C for 60 minutes or chemically sanitized in situ using common sanitizing agents, such as hot water, at 80°C for 20 cycles for 30 min (dependent on time and temperature).

Bacterial Endotoxin:

Effluent is non-pyrogenic per USP Bacterial Endotoxin (0.25 EU/ml), determined using Limulus Amebocyte Lysate (LAL) Test.

PureFlo Junior Filter Capsule Ordering Guide

| PureFlo Capsule Filters | Filter Media | Pore Size (Micron) | PreFilter Layer | Inlet Fitting | Outlet Fitting | Option |
|---|--|----------------------------------|--|---|--|--|
| JKL = Capsule filter Standard grade JNL = Nylon parts JKP = Pharma grade (For PTFE and PES Media only) | CN = Charged Nylon DP = Depth PolyPro E = Polyethylene F = PTFE G = Glass Fiber M = PolyPro Mem N = Nylon NS = Nylon Screen P = PolyPro Media HF = Hydrophilic PTFE S = PES | Pick From Pore Size Table | Blank = No Pre filter | 1H = 1/8" Hose Barb 2H = 1/4" Hose barbs 2N = 1/4" MNPT 2NO = 1/4" MNPT+EP O-Ring MT = 1/2" Tri clamps LF = Female Luer Lock 3H = 3/8" Hose Barb | 1H = 1/8" Hose Barb 2H = 1/4" Hose barbs 2N = 1/4" MNPT 2NO = 1/4" MNPT+EP O-Ring MT = 1/2" Tri clamps 2H -FB = 1/4" Hose barbs with Filling Bell 2H -FC = 1/4" Hose barbs with Filling Bell with Cap LF = Female Luer Lock 3H = 3/8" Hose Barb | -E = Polyethylene shell and HDPE media support for gamma sterilization -GP = Gamma stable polypropylene shell -N = No vent or drain fittings -NI = No vent or drain inlet fitting -NO = NO vent or drain outlet fitting -BLK = Black PP Shell -ETO = Ethylene oxide sterilization Oring for Quick Blank = O-Ring Silicon (Standard) -OE = O-Ring EPDM -ON = O-Ring Nitrile -OV = O-Ring Viton |
| | | | Pore size number from table if same media | | | |
| | | | Filter media letter and pore size number if different | | | |
| | | | | | | |
| Example - JKL Series, PTFE, 1.0um, no prefilter, 1/4" Hose Barb I/O is JKLF100D2H2H Example - JKP Series, PES 0.2um, 0.8 PES prefilter, 1/4" Hose Barb I/O is JKPS0800202H2H | | | | | | |

| Pore size (Micron) | | | | | | | | | | |
|--------------------|---------------|--------------|------------|-------------|-------------|------------|--------------|------------|-------------|------------|
| Charged Nylon | PolyPro Depth | Polyethylene | PTFE | Glass Fiber | PP Membrane | Nylon | Nylon Screen | PP Media | Philic PTFE | PES |
| 010 = 0.10 | 002 = 0.2 | 020 = 0.20 | 010 = 0.1 | 005 = 0.5 | 010 = 0.1 | 010 = 0.10 | 100 = 10 | 003 = 0.3 | Request | 005 = 0.05 |
| 020 = 0.20 | 005 = 0.5 | 100 = 1.0 | 020 = 0.2 | 010 = 1.0 | 020 = 0.2 | 020 = 0.20 | 200 = 20 | 006 = 0.6 | | 010 = 0.1 |
| 045 = 0.45 | 010 = 1.0 | 150 = 1.5 | 045 = 0.45 | 030 = 3.0 | | 045 = 0.45 | 400 = 40 | 010 = 1.0 | | 020 = 0.2 |
| 065 = 0.65 | 015 = 1.5 | 250 = 2.5 | 100 = 1.0 | 050 = 5.0 | | 065 = 0.65 | 600 = 60 | 030 = 3.0 | | 045 = 0.45 |
| 080 = 0.80 | 025 = 2.5 | | 300 = 3.0 | 100 = 10.0 | | 080 = 0.80 | 10X = 100 | 050 = 5.0 | | 065 = 0.65 |
| 120 = 1.20 | 045 = 4.5 | | 500 = 5.0 | 200 = 20.0 | | 120 = 1.20 | 20X = 200 | 100 = 10.0 | | 080 = 0.8 |
| | 100 = 10.0 | | 999 = 10.0 | 300 = 30.0 | | | | 200 = 20.0 | | 120 = 1.2 |
| | 200 = 20.0 | | | | | | | 300 = 30.0 | | |
| | | | | | | | | 500 = 50.0 | | |
| | | | | | | | | 700 = 70.0 | | |

Your Local Distributor:

Office 415-461-7033
Mobile 415-722-5747

WWW.OPIBIOPROCESS.COM

ZenPure

North & South Americas:
ZenPure Americas, Inc
www.zenpure.com
Info-us@zenpure.com
703-335-9910

All Other Regions:
ZenPure Corporation
www.zenpure.com
info@zenpure.com
+86 571 2288 6800

ZenPure and PureFlo are registered trademarks of ZenPure Corporation or an affiliated company. Copyright 2003-2009 ZenPure or an affiliated company. All rights reserved.

